

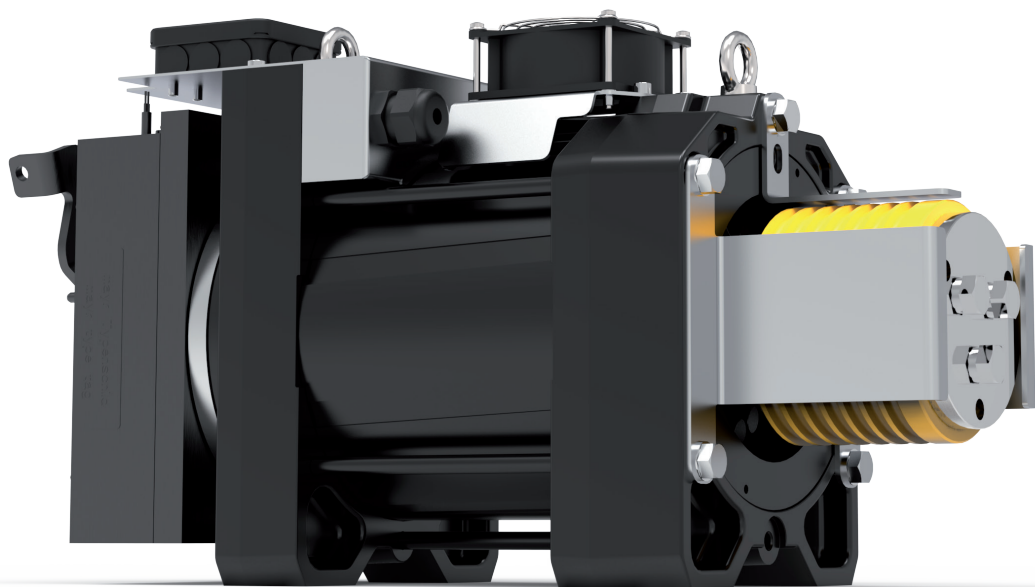
# OPERATION AND MAINTENANCE MANUAL

## SW05

COD.: MUM0249 REV. 03

english

Copy of the original file MUM0249\_REV03 Italian



SICOR ITALY S.r.l.

Head Office and Production Centre

Viale Caproni 32 - 38068 Rovereto (TN) Italy

Ph.. +39 0464 484111 Fax +39 0464 484100

[www.sicoritaly.com](http://www.sicoritaly.com) [info@sicoritaly.com](mailto:info@sicoritaly.com)

 **SICOR**  
DRIVING THE FUTURE

## INDEX

|        |  |    |
|--------|--|----|
| 1.     | LETTER TO THE CUSTOMER .....   | 3  |
| 2.     | DESCRIPTION OF THE GEARLESS MACHINE.....   | 3  |
| 2.1.   | DIMENSIONS/TECHNICAL SPECIFICATIONS SW05 .....   | 4  |
| 3.     | MACHINE IDENTIFICATION .....   | 5  |
| 4.     | WARRANTY .....   | 6  |
| 5.     | GENERAL DELIVERY NOTES .....   | 6  |
| 6.     | SAFETY PRECAUTIONS.....  | 7  |
| 7.     | SAFETY REQUIREMENTS .....  | 8  |
| 8.     | MOVING THE WINCH .....   | 10 |
| 9.     | NOTES FOR INSTALLATION .....   | 12 |
| 9.1.   | MECHANICAL INSTALLATION .....  | 12 |
| 9.1.1. | CABLE INSTALLATION.....  | 13 |
| 9.1.2. | SECURING THE GEARLESS MACHINE .....  | 13 |
| 9.1.3. | CABLE GUARD.....   | 13 |
| 9.2.   | ELECTRICAL INSTALLATION.....   | 14 |
| 9.2.1. | ELECTRIC MOTOR .....   | 14 |
| 9.2.2. | WIRING DIAGRAM - SERVICES CABLE.....   | 15 |
| 9.2.3. | WIRING DIAGRAM - POWER CABLE .....   | 16 |
| 9.3.   | ENCODER .....  | 17 |
| 9.3.1. | ABSOLUTE ROTARY ENCODER CONFIGURATION - ENDAT INTERFACE.....                                     | 18 |
| 9.3.2. | ROTARY ENCODER SIN/COS INTERFACE CONFIGURATION.....  | 20 |
| 9.3.3. | INSTRUCTIONS FOR INSTALLING THE EXTENSION CABLE ON THE HEIDENHAIN<br>ENDAT ECN 1313 ENCODER..... | 21 |
| 9.4.   | ELECTROMAGNETIC BRAKE .....  | 23 |
| 9.4.1. | EMC DIRECTIVE.....   | 24 |
| 9.4.2. | MANUAL BRAKE RELEASE LEVER REMOTE CONTROL KIT (OPTIONAL) .....                                   | 25 |
| 9.5.   | POWER SUPPLY UNIT .....  | 27 |
| 9.5.1. | POWER SUPPLY UNIT ELECTRICAL CONNECTION DRAWINGS .....   | 28 |
| 10.    | STARTING THE GEARLESS MACHINE FOR THE FIRST TIME.....  | 30 |
| 11.    | MAINTENANCE .....  | 31 |
| 11.1.  | ENCODER REPLACEMENT .....  | 32 |
| 11.2.  | VENTILATION KIT .....  | 33 |
| 11.3.  | PULLEY DISMANTLING .....   | 34 |
| 11.4.  | PULLEY ASSEMBLY .....  | 35 |
| 12.    | EMERGENCY OPERATION.....   | 35 |
| 13.    | DISPOSAL/RECYCLING .....   | 36 |

## 1. LETTER TO THE CUSTOMER

Dear Customer,

SICOR gearless machines are designed and manufactured in accordance with the Machinery Directive 2006/42/CE, 2014/33/UE, EN 81-20, EN 81-50, UNI EN 12100 and in full respect of the regulations in force.

They do not therefore represent a hazard for installation and maintenance personnel if used according to the instructions supplied in this manual and if the relative safety devices are always kept in a good working state.

This document attests that the safety devices on the machine were in working order when the machine was delivered; that this manual has been delivered with the machine and that the installation personnel is responsible for fully complying with its contents.

SICOR declines any and all responsibility for damage caused by alterations to, tampering with and any operations performed on the equipment which do not comply with the contents of the manual, with its instructions or with information provided in other documents.

SICOR congratulates you on choosing this product and hopes that you will be impressed by its excellent performance.

SICOR ITALY S.r.l.

## 2. DESCRIPTION OF THE GEARLESS MACHINE

The SW05 is a permanent magnet synchronous machine developed and designed as gearless plant for handling cable elevator systems.

- NO OTHER APPLICATION IS CONSIDERED VALID.
- OTHER APPLICATIONS WILL BE CONSIDERED VALID ONLY AFTER CONSULTATION WITH SICOR.

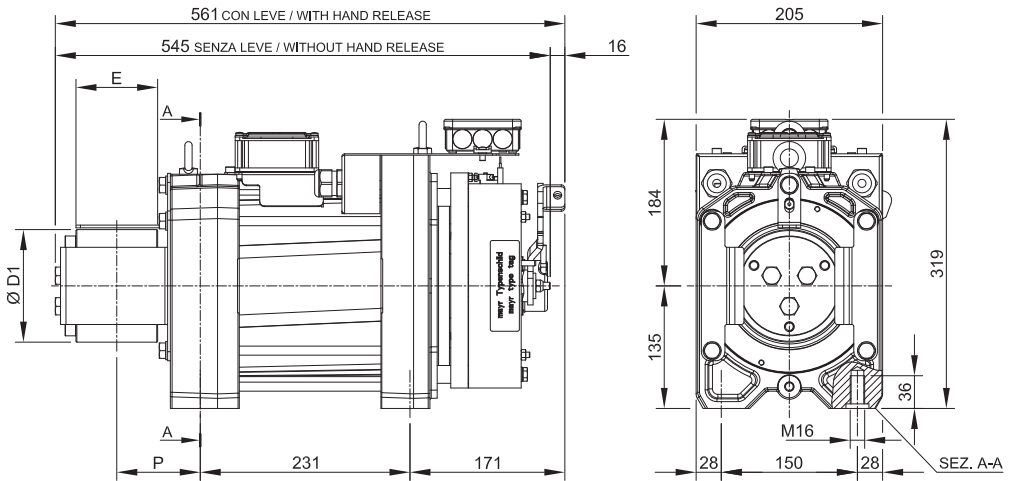
The SW05 may be used for systems with suspension 1:1 or higher.

The brakes of the machine are certified for use as a safety system for the upward over-speed of the cabin.

The SW05 motor requires an inverter and an encoder for operation (the encoder is supplied installed on the machine).

## 2.1. DIMENSIONS/TECHNICAL SPECIFICATIONS SW05

The tables provide standard data, other data and configurations are possible.



| Ø D1<br>[mm] | E<br>[mm] | P<br>[mm] | Maximum<br>Weight<br>[kg] | Inertia<br>[kgm <sup>2</sup> ] | Winding<br>system | Torque<br>S3 40%<br>[Nm] | Max<br>static load<br>[kN - kg] | Maximum<br>output**<br>[kW] |
|--------------|-----------|-----------|---------------------------|--------------------------------|-------------------|--------------------------|---------------------------------|-----------------------------|
| 120          | 90        | 92        | 129                       | 0,06                           | CSW *             | 160                      | 29,4 - 3000                     | 8,5                         |
| 160          |           |           |                           | 0,09                           |                   |                          |                                 |                             |
| 200          | 125       | 109,5     |                           | 0,24                           |                   |                          |                                 |                             |
| 210          |           |           |                           | 0,31                           |                   |                          |                                 |                             |

| Brake specifications    |       |        |
|-------------------------|-------|--------|
| Braking torque          | 2x180 | [Nm]   |
| Standard supply voltage | 207   | [V DC] |
| Supercharging           | --    | [V DC] |
| Power                   | 2x68  | [W]    |
| Supercharging power     | --    | [W]    |
| Degree of protection    | IP10  |        |

| Standard encoder specifications |                         |     |
|---------------------------------|-------------------------|-----|
| type                            | Absolute - EnDat        |     |
| Model                           | Heidenhain<br>ECN 1313  |     |
| Resolution                      | 2048 imp/rev<br>13 bits |     |
| Degree of protection            | IP40                    |     |
| Standard cable length           | 10                      | [m] |

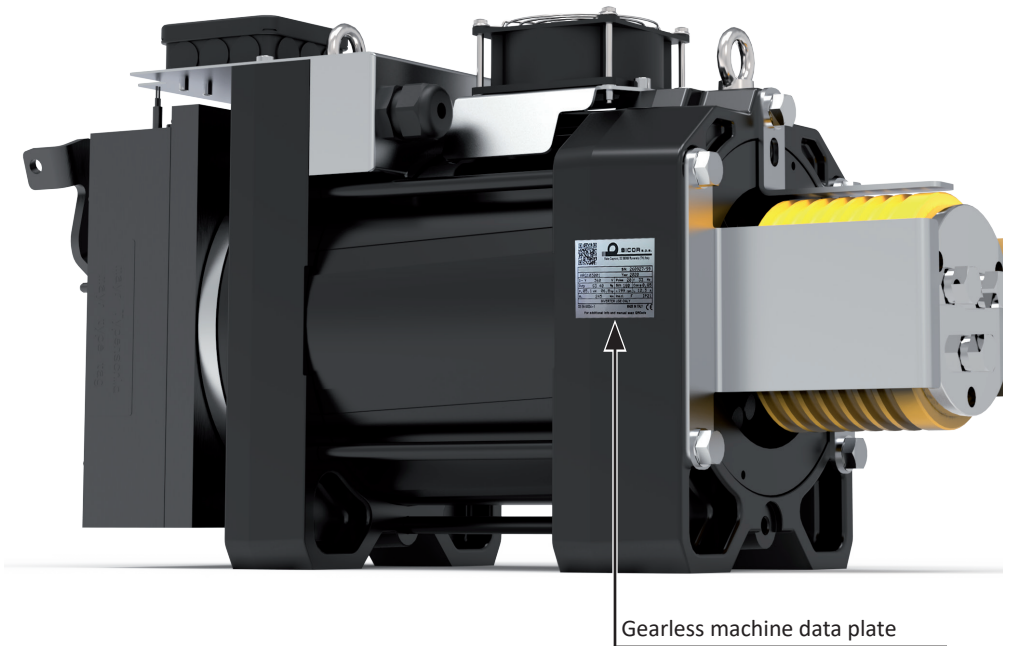
| Ventilation data |           |      |
|------------------|-----------|------|
| Voltage          | 230       | [V]  |
| Frequency        | 50/60     | [Hz] |
| Current          | 0,17/0,13 | [A]  |

\*) CSW: Conventional winding system.

\*\*\*) Sample data; we recommend the use of our product configurator for more detailed evaluations.

## 3. MACHINE IDENTIFICATION

In any communication with SICOR or its technical assistance centres concerning a gearless machine, always mention the serial number indicated on the machine's ID plate.



#### 4. WARRANTY

For the warranty conditions, refer to the “Warranties and Liability” document which can be downloaded from the company website [www.sicoritaly.com](http://www.sicoritaly.com)

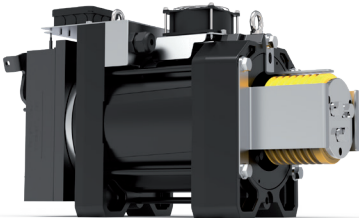
#### 5. GENERAL DELIVERY NOTES

Gearless machines can be shipped on pallets or in crates.  
In all cases, on receipt of the gearless machine, check that:

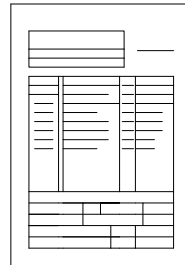
- the packing is undamaged
- the supply corresponds to the specifications of the order (see waybill or packing list)
- there is no visible damage to the gearless machine or its accessories

In case of damage or missing pieces inform SICOR, its agent, or the shipping agent immediately and in detail.

Spare parts or parts of equipment of the supply, when necessary, are packed in separate containers.



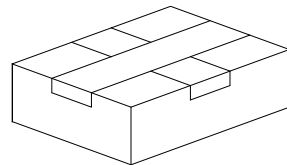
Gear motor complete with accessories according to order specifications



Machine data sheet Work Order



Operation manual







Box with spare parts (if requested)

## 6. SAFETY PRECAUTIONS

Installation personnel are responsible for making sure that installation and maintenance are carried out in accordance with the essential criteria and requisites for health and safety protection. Installation and maintenance personnel must observe and remain updated in relation to accident prevention regulations and legal obligations to avoid injury to persons or damage to the product during installation, maintenance and repair.

Important warnings regarding safety and hazards are signalled using the following symbols.

|  |  |
|--|--|
|  | Warning of high hazard risk (e.g.: zones of shearing, cutting, crushing, etc.).                  |
|  | Generic hazard warning.  |
|  | Risk of damage to parts of the machinery (for example due to incorrect installation or similar). |
|  | Symbol to indicate additional important information.   |

WHEN THESE WARNINGS APPEAR,  
PROCEED WITH THE UTMOST CAUTION.

Definitions: INSTALLATION and/or MAINTENANCE PERSONNEL:

qualified operator recognised as such by the Customer, authorised by the Customer to work on the machine for installation and maintenance operations.

## 7. SAFETY REQUIREMENTS



Installers or maintenance personnel must be aware of the dangers associated with the machine and must have read and understood the safety precautions in this manual.

Before installing the gearless machine the customer must verify that the concrete slab and/or the support structures of the shifting loads and the gearless machine itself, providing the required safety factors.

The Customer **MUST** also respect the distances from walls and from other machines in accordance with the directives and standards in force in the country where the gearless machine will be installed.



### LIFTING

To move the gearless machine (see also "Transportation" chapter 8) use the eyelet of the winch in suspension or non-metal straps or a forklift truck of suitable capacity to raise the winch up to 30 cm from the floor and handled slowly.

Do not lift loads additional to the weight of the gearless machine itself with the supplied eyebolt. Check that the eyebolt is fully tightened with a closing torque such as to prevent loosening during handling and/or installation.



### EXCLUSION OF POWER SOURCES

Before performing any cleaning and/or maintenance operations, the maintenance engineer must disconnect the gearless machine, exclude the power supply and must wait until the heated areas of the motor reach room temperature.



### WARNING

Do not lean and/or sit on the gearless machine, either when it is in or out of service.



Do not deposit or place any objects or containers of liquids etc. on the gearless machine and especially on electrical parts.



Never tamper with or disable the safety devices or by-pass them or use them for purposes other than those for which they were intended. Do not tamper with or damage or remove the number plates. If deteriorated or illegible, immediately ask SICOR for replacement.



When working near the gearless machine, installers and maintenance personnel **MUST NEVER WEAR LOOSE AND/OR TORN CLOTHING** (scarves, cravats, hats, necklaces, belts, watches, bracelets, rings, etc...).





Use the gearless machine according to specifications and technical data on the gearless machine ID plate.



When the power to the motor is OFF, it is not able to develop any torque. In this situation, if the brake is opened the cabin can accelerate in an uncontrolled manner.

In this context, it is advisable to short-circuit the motor windings when the machine is not powered; in this case, a resistant torque will be developed while the shaft is being handled.

The short-circuit must be done through the main contacts of the contactors (since the current is approximately the rated value of the motor).



Check the correct connection of the temperature sensors located inside the windings.



The components and elements to ensure safety (brake, safety devices, etc...) should NEVER be removed and/or bypassed.



Under use conditions, the surface of the gearless machine can reach very high temperatures. Danger of burning.



High magnetic fields may be present close to the machine. KEEP ELECTROMEDICAL AND ELECTRONIC EQUIPMENT AT A SAFE DISTANCE (SUCH AS PACEMAKERS) TO AVOID MALFUNCTIONS.

## 8. MOVING THE WINCH

WARNING  
RISK OF CRUSHING,  
IMPACT AND ABRASION



The personnel handling the gearless machine must have read the safety requirements in paragraph 7 of this manual and must wear personal protective equipment.

The gearless machine is delivered by SICOR in crates or on pallets wrapped in a protective plastic bag.



WARNING

Never move the crates by dragging them. Always lift them. Do not remove the machine from its packing before having brought it as near as possible to the final position.

A winch with cables or a fork lift of adequate capacity is needed to move the crate.



The forks must also be positioned as widely apart as possible to avoid tipping over.



If the machine has been shipped on a pallet, use an adequately sized load spreader when moving with a crane so that the lifting cables or chains are kept in a vertical position and do not damage parts of the machine.



WARNING

- During handling, remember the following points:
  - proceed slowly
  - do not lift the crate more than 30 cm off the ground unless obstacles are present.
  - lay the crate on the ground slowly
- When unpacking the crate, start from the top and use suitable tools to open it. Afterwards, if the packaging is a crate, remove the side walls, removing the nails below from the pallet. When the machine is unpacked, **DO NOT DISPOSE OF THE PACKAGING IN THE ENVIRONMENT**, but rather reuse it or send it to a specialist company.
- Once the walls of the crate have been removed, check that the supply corresponds with the shipping document and the order.  
If there is a discrepancy with the order, immediately notify SICOR or their agent. When necessary, proceed as described in paragraph 5 "General delivery notes".

When handling the unpacked gearless machine, use a crane or a forklift with wide forks of appropriate capacity, using the eyebolt of the reduction gear and a non-metal band around the motor.

**CAUTION**

Make sure there are no people exposed within the operating range of transport means with the gearless machine (danger zone).



If the gearless machine is stored for long periods, leave it on its pallet and make sure it is adequately protected (at least with a waterproof covering) to prevent oxidation of the internal or external parts of the machine, making sure that it is suitably protected against dust.

Remember that the oxidation of shafts or other mechanical parts reduces its fatigue strength.

Excessively long storage times are not advisable (max. storage time = one year).

Store the machine at between - 10°C/+ 60°C.

Always check the free rotation of the gearless machine shaft before installation (RELEASE THE BRAKE FOR THIS PURPOSE). If necessary, consult the related manual supplied with this machine.

During this operation, pay attention to the presence of abnormal noise coming from the gearless machine.

## 9. NOTES FOR INSTALLATION

### 9.1. MECHANICAL INSTALLATION



#### WARNING

The location in which the gearless machine is installed must have the following characteristics:

- It must be dry and not dusty: this is essential to prevent electrochemical corrosion of mechanical parts (clean the machine room before installing the machine/clean electrical parts from any condensation).
- The room must be ventilated: the room must have adequate openings or conditions to allow sufficient renewal of air to dissipate the heat transferred from the machine.
- The room temperature must be between + 5° C and + 40° C.  
Maximum humidity 95% non-condensing 0÷1000m A.S.L.  
For other values, consult SICOR.

The customer must make sure that the electrical system has suitably gauged cables, is correctly earthed and adequate power is installed.

The installation of the machine, the electrical connections and adjustments to optimise the system must be performed by qualified and experienced personnel.



During the assembly and/or handling the moving and/or delicate parts (brake, encoder) must be protected against accidental knocks and dust.



No welding should be performed on the gearless machine (neither during installation nor at other stages). Welding may damage moving parts.



Allow a minimum of 80 mm between the encoder and the wall so that it is always accessible for maintenance and/or replacement.

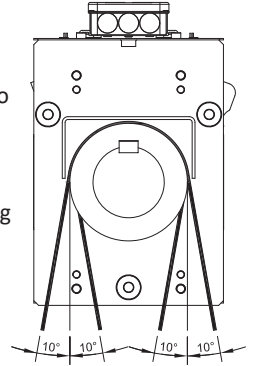
## 9.1.1. CABLE INSTALLATION



The gearless machine must always be placed at the top of the support beam. NO OTHER POSITION IS CONSIDERED VALID. The support surface should provide appropriate stiffness and strength to support loads applied to the machine.



The machine must only be used with normal rope lifting to the fixing surface, and facing towards the latter; a deviation of  $\pm 10^\circ$



## 9.1.2. SECURING THE GEARLESS MACHINE



The gearless machine **MUST** be fixed to the supporting surface by means of 4 M16 screws with minimum strength class 8.8 (positioned at the feet). The tightening torque for M16 screws is 210 Nm.



Tighten the screw threads to a minimum length of 1.5 times the diameter.  
Maximum thread depth is 36mm.



The maximum allowable flatness tolerances at the feet of support is 0.3 mm.

## 9.1.3. CABLE GUARD

In compliance with EN 81-20 and EN 81-50 standards, devices to prevent cables slipping out of the pulley grooves must include a retainer device located in the vicinity of the points where the cables enter.



Adjust the cable guards so they are at a distance of 2-3 millimetres from the cables, and tighten the screw with a 25 Nm torque.

## 9.2. ELECTRICAL INSTALLATION



**All electrical connections must be made with the main switch in the OFF position**



Use shielded cables (max length 25m); the cable shielding must be appropriately connected.

### 9.2.1. ELECTRIC MOTOR

With the help of the layout (attached to this manual), connect it electrically to the inverter making sure the U, V, W and grounding phases are connected correctly.

**DO NOT CONNECT THE MACHINE DIRECTLY TO THE POWER GRID. THE POWER MUST BE SUPPLIED BY A SUITABLE ELECTRONIC CONVERTER.**



#### IMPORTANT NOTE

The motor is made using permanent magnets with a maximum working temperature of 150°C. Above this limit, the magnets may lose their magnetic characteristics, thus altering the performance of the machine.

The motor is protected by PTC thermistors.

Refer to the following table for the technical features of the PTC sensors:

|                    |
|--------------------|
| Thermistors        |
| T < 150 °C 750 Ohm |
| T ≥ 150 °C 4 kOhm  |

The thermistors **MUST ONLY BE CONNECTED TO A SPECIFIC DEVICE.**

Incorrect connection of the thermistors will burn them out immediately.

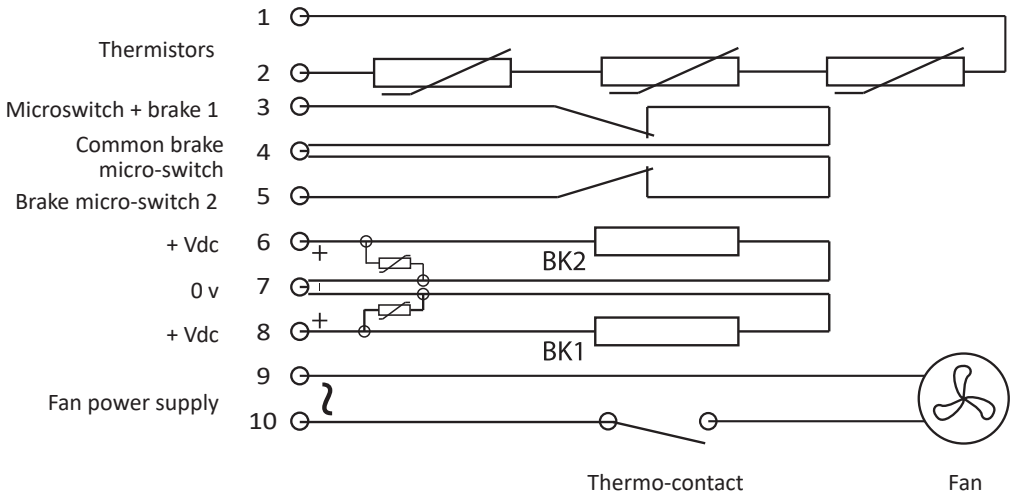
The maximum permissible power supply voltage is 2.5 V DC.

When connected close the terminal box.

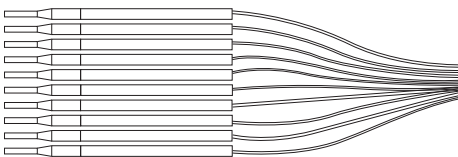


When the terminal box is open, avoid the possibility that any solid or liquid objects may fall and come into contact with the internal parts of the machine.

9.2.2. WIRING DIAGRAM - SERVICES CABLE

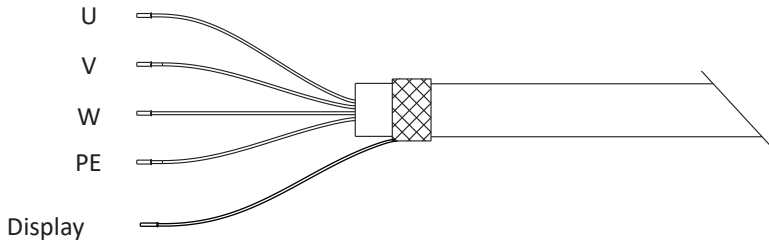
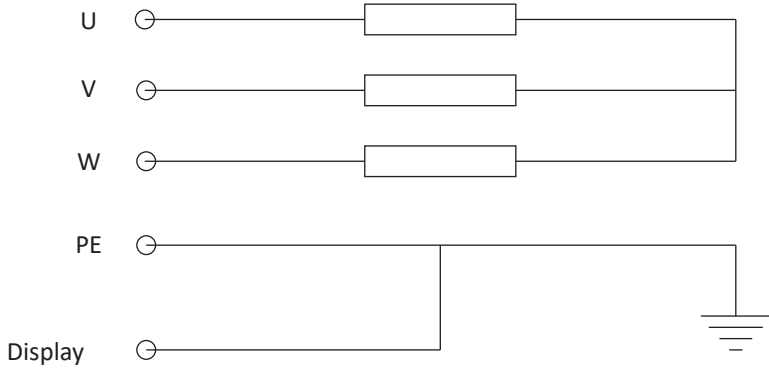


The following table shows how the cable numbering corresponds with the respective function.



| NUMBER |                           |
|--------|---------------------------|
| 1      | Thermistors               |
| 2      | Thermistors               |
| 3      | Brake micro-switch 1      |
| 4      | Common brake micro-switch |
| 5      | Brake micro-switch 2      |
| 6      | Brake +Vdc                |
| 7      | Brake 0V                  |
| 8      | Brake +Vdc                |
| 9      | Fan ~N                    |
| 10     | Fan ~L                    |

### 9.2.3. WIRING DIAGRAM - POWER CABLE





### 9.3. ENCODER

The encoder is a digital electronic component that provides the exact position of the rotor. The inverter must be equipped with a specific input able to process the signals coming from the encoder in order to interpret the angular position of the rotor.

There are two types of encoders available:

- Absolute rotary encoder with EnDat interface;
- Rotary encoder with Sin/Cos interface;




Consult the inverter manual in order to choose the correct type of encoder.

The encoder is fixed on the drive shaft in the factory, if the encoder needs to be replaced, refer to section “Encoder replacement” in this manual.



Each time the encoder is mounted on the shaft or tampered with, alignment of the rotor must be repeated by the inverter. Refer to the manual of the inverter installed for this operation.

|   |   |
|---|---|
|  | <p>The encoder is a delicate component, therefore prior to installation and start-up check that the components and cables/pins are in optimum condition and not compromised or damaged.</p> |
|---|---|



Encoder contains components that can be damaged by electrostatic discharge.

The installation/maintenance personnel must discharge the electrostatic charge before handling the encoder or the cables/pins by touching a metal object solidly connected to earth.

Avoid any mechanical shock or impact so as not to damage the encoder and thus impair its correct operation.



All electrical connections and connection/disconnection of the connectors must be made with the main switch set to “OFF”.



A shielded cable must be used for the connection of the encoder in order to avoid interference and/or signal noise. The pins or wires that are not used must be properly insulated.

The encoder power supply cable must be wired separately and not together with the motor/brake power supply cables.

### 9.3.1. ABSOLUTE ROTARY ENCODER CONFIGURATION - ENDAT INTERFACE

HEIDENHAIN ENDAT ECN 1313 ABSOLUTE ENCODER WITH 12 PIN CONNECTOR - MAXIMUM EXTENSION CABLE LENGTH = 25 METRES

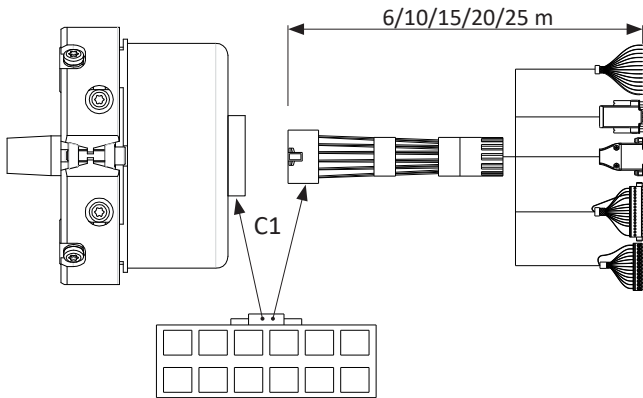
The ECN 1313 encoder is an absolute encoder with an EnDat interface and 12 pin connector. The combination of extension cables is necessary in order to connect this encoder to the inverter. The encoder, supply as standard, is connected to connectors C1.



All electrical connections and connection/disconnection of the connectors must be made with the main switch set to "OFF".

Take particular care not to damage the wires or pins in the event the connectors need to be connected or disconnected.

See the encoder manual for further information.



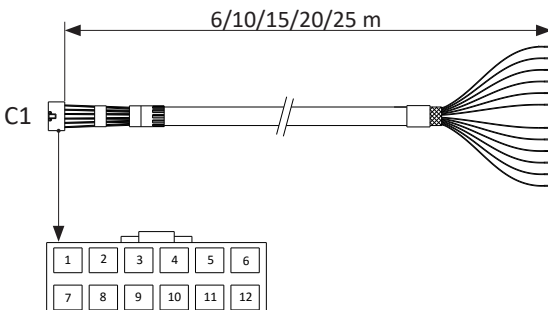
The encoder ECN 1313 may be supplied together with extension cables of variable length up to 25 metres with a different connector.



Consult the inverter manual in order to chose the correct type of inverter side connector.

- EXTENSION CABLE WITHOUT CONNECTOR (INVERTER SIDE) COMBINED WITH ECN 1313 - MAX. EXTENSION CABLE LENGTH = 25 METRES

Please refer to the table below for extension cable connections.



| C1 MINITEK 12 PIN |             |            |
|-------------------|-------------|------------|
| PIN               | WIRE COLOUR | SIGNAL     |
| 1                 | Brown       | 5 V Up     |
| 2                 | Green       | CLOCK      |
| 3                 | Violet      | B-         |
| 4                 | White       | 0 V Up     |
| 5                 | Red/Blue    | A-         |
| 6                 | Grey        | DATE       |
| 7                 | Pink        | DATA-      |
| 8                 | Grey/Pink   | A+         |
| 9                 | Blue        | Sensor 0 V |
| 10                | Black       | B+         |
| 11                | Yellow      | CLOCK -    |
| 12                | Red         | Sensor 5 V |

## HEIDENHAIN ENDAT ECN 1313 ABSOLUTE ENCODER WITH 17 PIN CONNECTOR - MAXIMUM EXTENSION CABLE LENGTH MORE THAN 25 METRES

The ECN 1313 encoder is an absolute encoder with an EnDat interface, 0.3 m cable and 17 pin connector (C2).

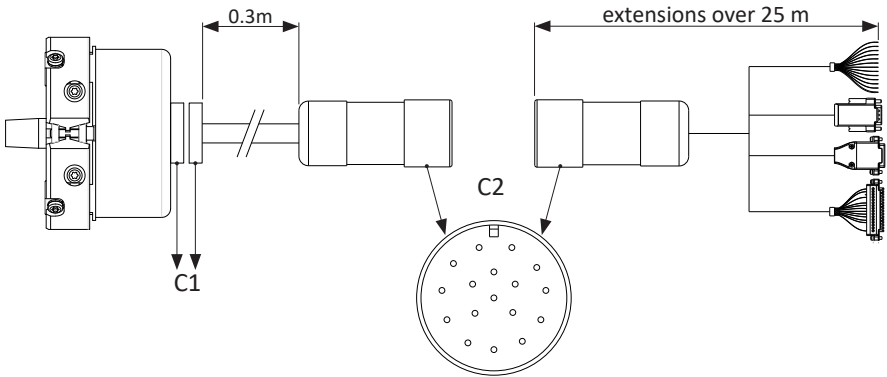
The encoder, supply as standard, is connected to connectors C1.



All electrical connections and connection/disconnection of the connectors must be made with the main switch set to "OFF".

Take particular care not to damage the wires or pins in the event the connectors need to be connected or disconnected.

The combination of extension cables is necessary in order to connect the encoder to the inverter. See the encoder manual for further information.



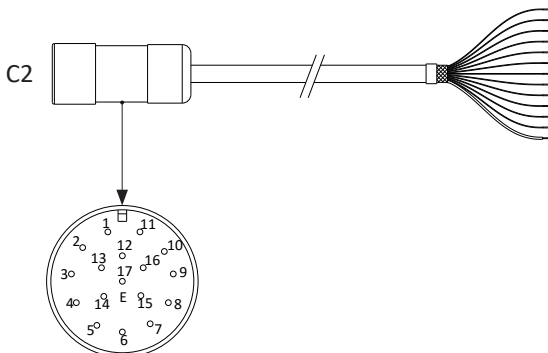
The encoder ECN 1313 may be supplied together with extension cables of variable length of more than 25 metres with a different connector.



Consult the inverter manual in order to choose the correct type of inverter side connector.

- EXTENSION CABLE WITHOUT CONNECTOR (INVERTER SIDE) COMBINED WITH ECN 1313 - EXTENSION CABLE LENGTH OF MORE THAN 25 METRES

Please refer to the table below for extension cable connections.



| C2 17 PIN |                  |        |
|-----------|------------------|--------|
| PIN       | WIRE COLOUR      | SIGNAL |
| 1         | Blue             | 5 V    |
| 2         | --               | --     |
| 3         | --               | --     |
| 4         | White            | 0 V    |
| 5         | --               | --     |
| 6         | --               | --     |
| 7         | Brown/Green      | 5 V Up |
| 8         | Violet           | CLOCK  |
| 9         | Yellow           | CLOCK- |
| 10        | White/Green      | 0 V Up |
| 11        | Internal display | --     |
| 12        | Blue/Black       | B+     |
| 13        | Red/Black        | B-     |
| 14        | Grey             | DATE   |
| 15        | Green/Black      | A+     |
| 16        | Yellow/Black     | A-     |
| 17        | Pink             | DATA-  |

### 9.3.2. ROTARY ENCODER SIN/COS INTERFACE CONFIGURATION

HEIDENHAIN ERN 1387 ABSOLUTE ENCODER WITH 14 PIN CONNECTOR - MAXIMUM EXTENSION CABLE LENGTH = 25 METRES

The ERN 1387 encoder has a SIN/COS interface and a 14 PIN connector (C3). The combination of extension cables is necessary in order to connect this encoder to the inverter.

The encoder, supply as standard, is connected to connectors C3.

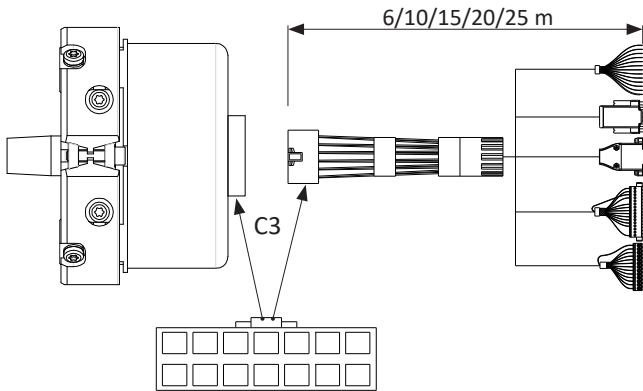
Please refer to the table below to connect the encoder to the inverter.



All electrical connections and connection/disconnection of the connectors must be made with the main switch set to "OFF".

Take particular care not to damage the wires or pins in the event the connectors need to be connected or disconnected.

See the encoder manual for further information.



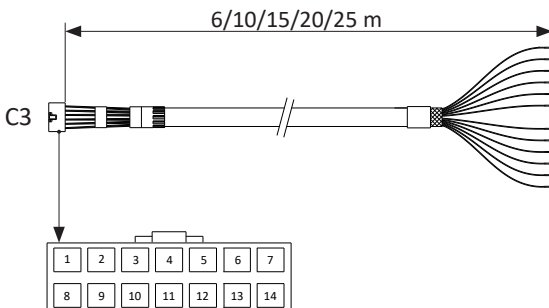
The ERN 1387 encoder may be supplied together with extension cables of variable length up to 25 metres with a different connector.



Consult the inverter manual in order to chose the correct type of inverter side connector.

- EXTENSION CABLE WITHOUT CONNECTOR (INVERTER SIDE) COMBINED WITH ERN 1387 - MAX. EXTENSION CABLE LENGTH = 25 METRES

Please refer to the table below for extension cable connections.



| C3 MINITEK 14 PIN |             |        |
|-------------------|-------------|--------|
| PIN               | WIRE COLOUR | SIGNAL |
| 1                 | Brown       | 5 V Up |
| 2                 | Grey        | D+     |
| 3                 | Black       | B+     |
| 4                 | Red         | R+     |
| 5                 | White       | 0 V Up |
| 6                 | Grey/Pink   | A+     |
| 7                 | Green       | C+     |
| 8                 | Yellow      | C-     |
| 9                 | Red/Blue    | A-     |
| 10                | --          | --     |
| 11                | Blue        | R-     |
| 12                | Violet      | B-     |
| 13                | Pink        | D-     |
| 14                | --          | --     |

### 9.3.3. INSTRUCTIONS FOR INSTALLING THE EXTENSION CABLE ON THE HEIDENHAIN ENDAT ECN 1313 ENCODER

The ECN 1313 encoder is an absolute encoder with an EnDat interface and 12 pin connector. The combination of extension cables is necessary in order to connect the encoder to the inverter. The connection of the extension cable to the encoder is carried out using the 12 PIN connector.

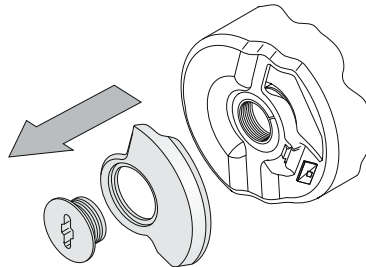


Incorrect assembly of the extension cable may damage it and/or cause incorrect operation of the encoder

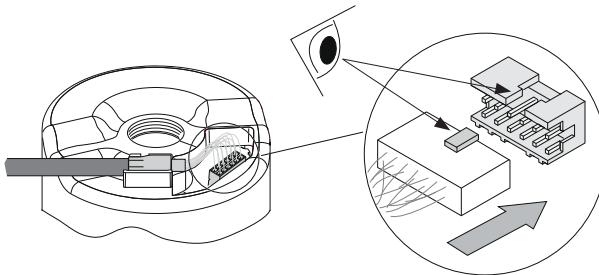


To avoid damaging the cable during assembly work, it is important to observe the following instructions scrupulously:

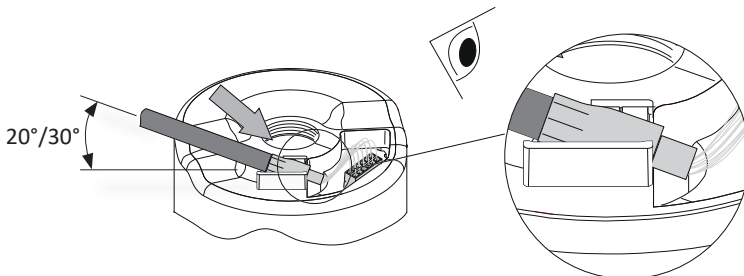
- Remove the protection/cover from the connection seat of the connector;



- Connect the 12 PIN connector to the encoder, being careful to insert the tab in the relative seat;



- At an angle of 20°/30° insert the bushing of the extension cable into its seat;

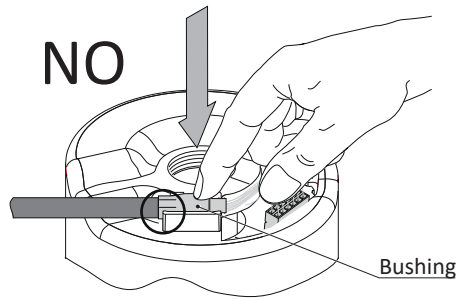
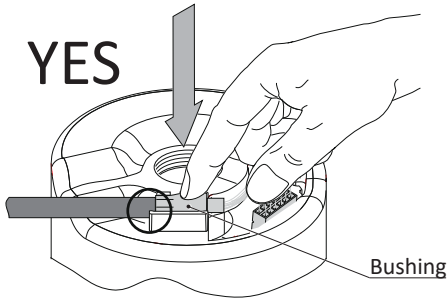


- Lower the bushing of the extension cable and push it fully in.

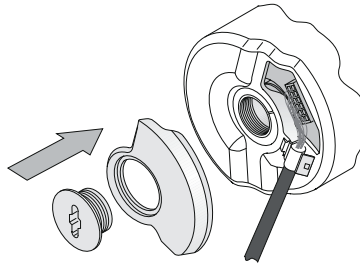


Incorrect installation could cause irreparable damage to the extension cable

See the images for correct positioning.




- Fit the protection/cover of the connection seat of the connector;




The removal of the extension cable is not recommended, if this is unavoidable carry out the procedure in rev

### 9.4. ELECTROMAGNETIC BRAKE


The gearless machines are supplied with a fitted and adjusted electromagnetic brake. The electromagnetic brake is the mechanical braking device for the gearless machine. This device is open (pulley free) when powered and is closed (pulley braked) when it is not powered.


|   |   |
|---|---|
|  | <p>Verify correct operation after installation. There must be no noise and/or unusual scrapings during motor rotation. Brake release is monitored by micro-switches and <b>MUST</b> be controlled. The two brake circuits <b>MUST</b> be monitored and tested separately.</p> |
|---|---|

These instruction do not in any way replace the technical documentation of the brake attached to this manual.

 Always refer to the electromagnetic brake manual attached to this manual. it lists all functions and operations to be performed in order to intervene safely on the plant.

The rated power voltage may vary in relation to the configuration purchased. The correct value for the rated voltage is indicated on the label affixed directly on to the device itself. Make the electrical connections by connecting the power supply terminals on the control panel as indicated on the screen. The reversal of the polarity does not change the operation of the brake. The brake must be protected against over-voltages. To this end, the standard supply for the gearless machine includes a pair of varistors connected inside the motor’s terminal box, parallel to terminals of each coil (for more information, see the wiring diagram at paragraph “terminal board wiring diagram”). The brake is designed to work in a static mode. Dynamic braking is only allowed for emergency braking and braking test purposes. The brake does nor replace the safety braking system used during the descent of the elevator. Correct use does not lead to significant wear of the friction material.

 The brake has been designed with IP10 protection level for operating in dry conditions. The friction material must not come into contact with any type of oil, liquid, grease and/or powder.

 If the friction disc requires replacement, refer to the technical documentation for the brake attached to this manual.

## IMPORTANT NOTES



All electrical connections must be made with the main switch in the “OFF” position.



When the device is powered, check that the rated power supply voltage is held at prescribed values.



The tolerance in the supply of voltage to the brake terminals is +5%/-10%. The voltage must be measured on the terminals with the device under power.

A power supply voltage less than the declared rated voltage may compromise the correct operation of the device (no opening or fault closing). A power supply voltage higher than the declared rated voltage may cause super-heating and/or increase intervention times.

The connection cables between the control panel or power supply unit and the brake device must have suitable dimensions to ensure correct operation of the brake. These cables are not included in the standard supply but are optional accessories available on request.

The opening and closing of the brake is monitored by microswitches.

In the event of power failure to the brake coil (shaft braked), the contacts of the micro switch are switched to the NC position (Normally Closed); in the event of power to the brake coil (shaft free), the micro switch is switched to the open position.

In order to ensure a long operating lifespan for the contact, the current flowing through it must be between 10mA min. and 50 mA max. at 24V DC.

The maximum electrical lifespan of the micro-switch is only assured in the presence of a resistive load.



If long periods of storage occur the braking surface of the brake could jam on the machine's body causing the shaft to block even with the brake open.

In this case, the brake should be removed, taking care to separate the brake disc from the machine body (refer to the technical documentation attached to this manual for this operation).



To help prevent this phenomenon, it is advisable to power the brake and move the shaft every 3-4 weeks.

When cleaning brake device components, DO NOT use detergents containing solvents and/or oily substances since they may cause irreparable damage to the friction material.

#### 9.4.1. EMC DIRECTIVE





The installation and/or construction personnel responsible for the elevator system into which the gearless machine is integrated must check that the assembly of the equipment follow the requirements and meet the current EMC Directive.



### 9.4.2. MANUAL BRAKE RELEASE LEVER REMOTE CONTROL KIT (OPTIONAL)


The standard configuration of the gearless machine does not envisage the supply of the manual brake opening device. This device is available as an optional on request. It is possible to purchase the remote control brake release kit combined with the manual brake release device (1),. The kit envisages the supply of: "control panel side" lever (2) and flexi-cable (3) of 2.5 m or 5 m in length.

 If the manual brake release is supplied, pay close attention to the overall dimensions of the gearless machine since they may vary in relation to the kit purchased. For more details, see paragraph "Dimensions of the gearless machine".


 The manual brake release device must be installed with the main switch in the "OFF" position.

#### INSTALLATION PROCEDURE:

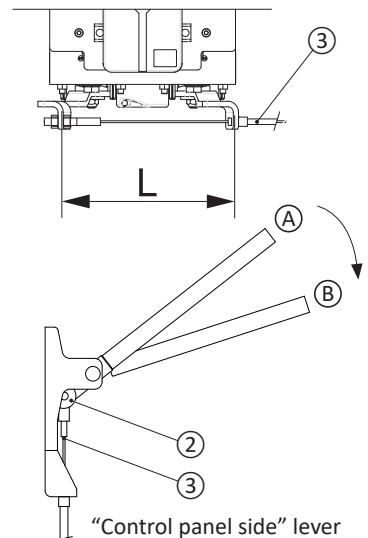
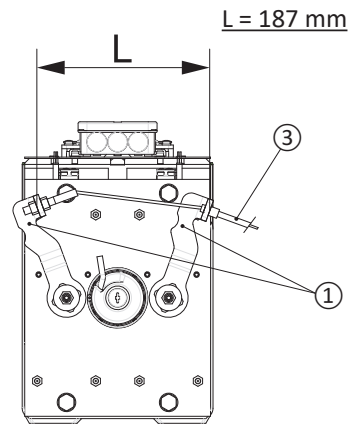
- Block the cabin booth and the counterweight. Make sure that all safety measures required for the lifting system are observed;
- Install the "control panel side" release lever;
- Insert the Bowden cable into the brake release levers and connect it with the "control panel side" lever;

 While connecting the cable, Make sure that there are no knots along its entire length. Minimise the number of curves and keep a minimum curvature radius of 200 mm.

- Pre-set the distance for the brake release levers using a threaded terminal and adjust the sheath to obtain the measurement "L" indicated. Measurement "L" must be taken with the "control panel side" level in its rest position (A).
- Check correct operation by operating the "control panel side" lever in position (B) so that the pulley of the gearless machine is free to rotate. With the lever released (position A), make sure that the brake exerts its braking action of the pulley shaft.

 Check the correct operation of the manual brake release device at regular intervals.

#### PROCEDURA PER L'UTILIZZO:



#### UTILISATION PROCEDURE:

Use the machine in scrupulous accordance with the contents of the “Emergency Manual Operation” procedure.



Manual emergency manoeuvre is a dangerous task. It can be used to move the cab excluding all the plant safety contacts. For this reason, anyone who performs this operation must have been carefully trained by specialised personnel and must be aware of the risks involved.

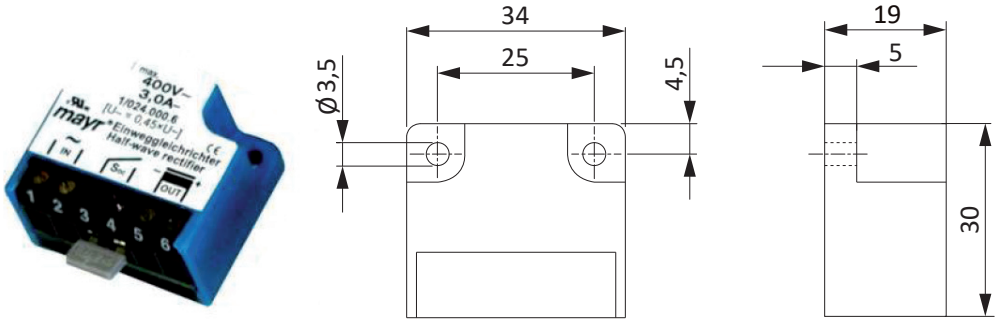
To allow the manual brake (1) to open so that the gearless machine pulley is free to rotate, move the “control panel side” lever (2) from position A to position B.

## 9.5. POWER SUPPLY UNIT

Mayr power supply unit (COD.:GEN0190) for electro-magnetic brake.

The brake power supply unit is not included in the standard supply but is an optional accessory available on request.

DIMENSIONS OF THE POWER SUPPLY UNIT:

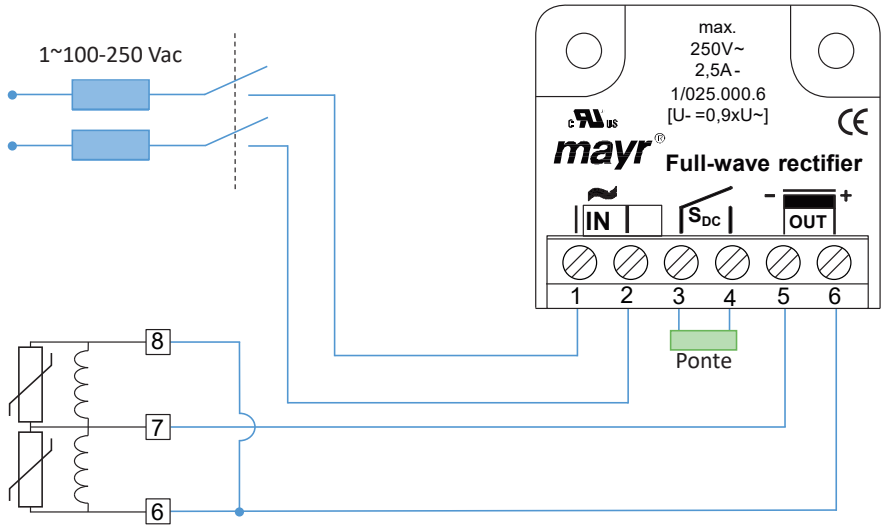


ELECTRICAL FEATURES OF THE POWER SUPPLY UNIT:

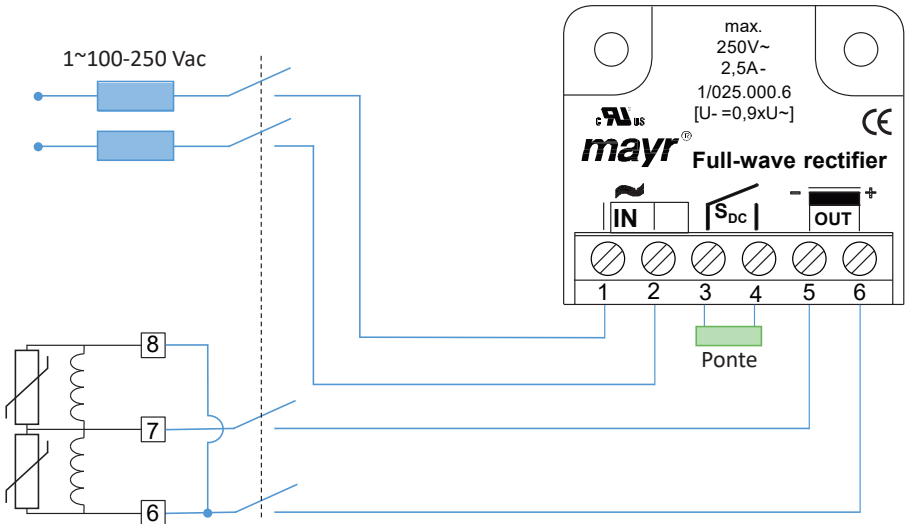
|                               |   |                |         |
|-------------------------------|---|----------------|---------|
| Power supply voltage          | $U_{AC}$                                | [VAC]          | 230     |
| Output voltage                | $U_{bridge}$                            | [VDC]          | 207     |
| Output current                | at $\leq 50^{\circ}C$                   | $I_{RMS}$      | [A] 2.5 |
|                               | at $\leq 85^{\circ}C$                   | $I_{RMS}$      | [A] 1.7 |
| Protection varistor           | $U_{RMS}$                               | [V]            | 275     |
| Protection fuses              | FF315A                                  |                |         |
| Degree of protection          | IP65 components / IP20 terminals        |                |         |
| Terminals                     | Rated cross-section 1.5 mm <sup>2</sup> |                |         |
| Operating ambient temperature | [°C]                                    | -25 up to +85  |         |
| Storage temperature           | [°C]                                    | -25 up to +105 |         |

### 9.5.1. POWER SUPPLY UNIT ELECTRICAL CONNECTION DRAWINGS

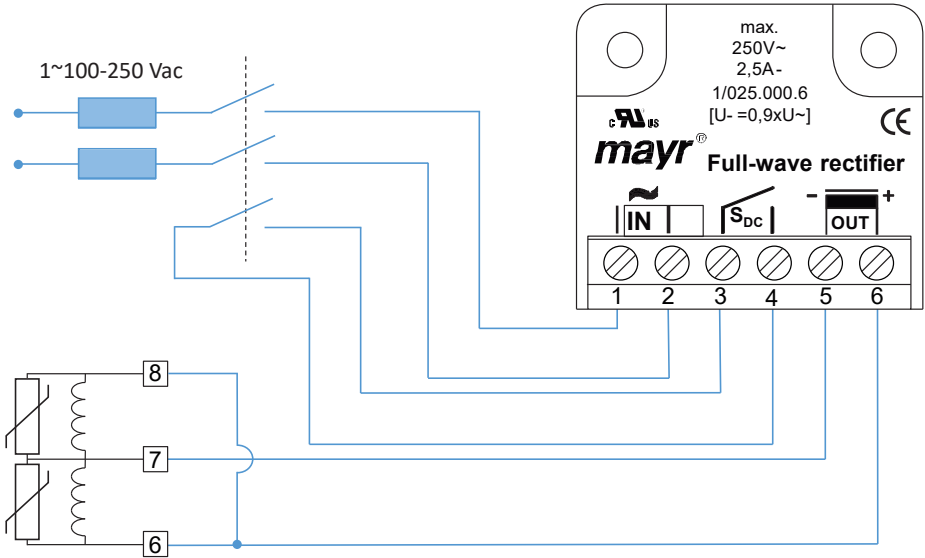
#### SLOW INTERRUPTION (LOW SWITCHING NOISE)



#### FAST INTERRUPTION IN EMERGENCY (HIGH SWITCHING NOISE)



## FAST INTERRUPTION IN EMERGENCY (HIGH SWITCHING NOISE)



The power supply unit installation position can be defined by the user. You must ensure sufficient heat dissipation by air convection. Do not install the plant near sources of heat.



See the manual of the manufacturer for further information.

## 10. STARTING THE GEARLESS MACHINE FOR THE FIRST TIME

- Verify the correct installation of the machine.
- Check that the electric connections have been made correctly and that the terminal box covers have been put back into position.
- Check the correct masses of the system so that they are in agreement with the machine's design data.



### CAUTION

Before performing a motor test ensure that an appropriate safety system is active to prevent movement and/or uncontrolled over-speeding of the system.



### WARNING

Never operate the gearless machine under load when the base fastening screws are not tightened!

May also cause serious damage to machinery or personnel!

- Check the correct setting of the inverter, especially the control parameters (frequency, gain, power, etc...).
- Refer to the inverter use and maintenance manual for the correct parameter settings (for any brand of inverter). Refer to the electrical data indicated on the ID plate of the gearless machine.
- Refer to the brake instructions included for any setting up and/or checks.
- Verify the functionality of the brake and refer to the specific documentation.
- Let the machine rotate with no load in both rotation directions.
- Place the cables in the driving pulley and install suitable safeties in conformity with that stipulated by the EN 81.1 standard.
- The system can now be handled.

## 11. MAINTENANCE

Before performing any maintenance operations, READ CAREFULLY paragraph 7 “Safety requirements” of this manual.

Installation and/or maintenance may only be carried out by competent personnel, authorised to access the machinery and having the necessary equipment and instruments.



### CAUTION

Before starting any installation and/or maintenance work, attention must be given to the safety requirements given below in order to avoid accidents and damage to the product components:

- Make sure you have the appropriate personal protection equipment (helmet, body harness, gloves, safety shoes).
- Always secure equipment and other objects to avoid them accidentally falling from a height.
- Make sure that the power has been disconnected before working on electrical equipment.
- Only install the electrical system and/or the connections once you have read the relative instructions.
- Before starting installation, see if there are any structural and space limitations where the installation / maintenance work will be carried out.
- It is advisable to consider where and when you will be operating and which assembly/maintenance procedures you will use.
- Take account beforehand of all significant limitations that may regard the various operation phases and do not start work without first evaluating the consequences.



Installation/maintenance personnel must provide a maintenance plan in relation to the use characteristics of the gearless machine.

The routine maintenance of the gearless machine is limited to:

- General cleaning of the gearless machine (DO NOT USE compressed air)
- Brake adjustment (Brake closed; SYSTEM OUT OF SERVICE) and wear evaluation of the brake materials
- Assessment and checking of wear and tear of pulley grooves
- Checking the correct operation of the manual brake release device, if fitted.



### WARNING

The gearless machine **MUST NEVER BE OPENED**.

The bearings are lubricated for life (no maintenance required).

See the specific instructions for the removal of the pulley and encoder.

## 11.1. ENCODER REPLACEMENT



Before replacing the encoder:

- Read the "Safety Requirements" chapter.
- Isolate the electrical power supply of the gearless machine.
- The present instructions do not in any way replace the technical documentation of the encoder attached to this manual.



Always refer to the encoder manual attached to this manual.

Encoder disassembly (figure 1):

- Loosen the screw on the outer ring with an Allen key ①;
- Remove the cover on the rear ②;
- Unscrew the central screw M5x50 by 1-2 turns (approx. 360-720°) ③;
- Carefully screw in a M10 screw until the coupling between the encoder cone and shaft is released ④;
- Remove the M10 screw;
- Complete the removal of the central screw (M5x50) ⑤;
- Remove the encoder ⑥.

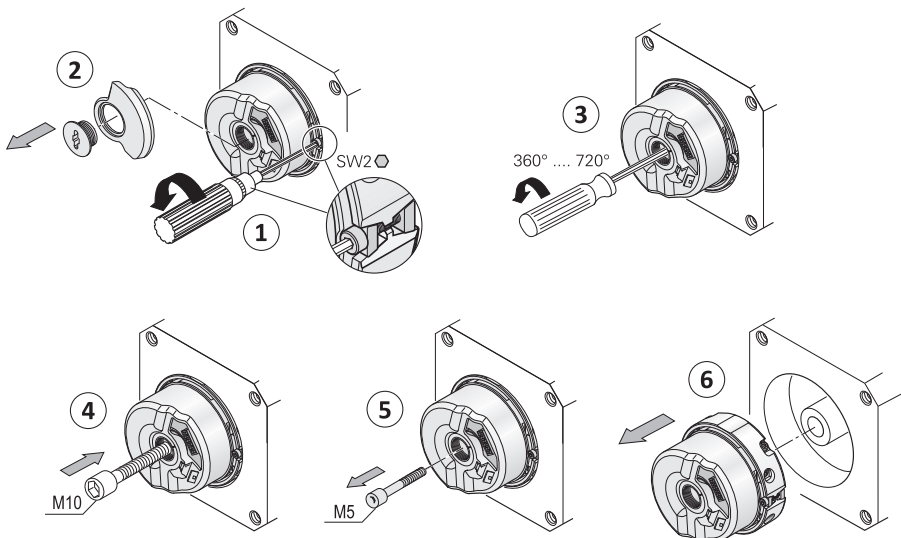


Figure 1



Encoder assembly (figure 2):

- Remove the cover on the rear of the encoder ①;
- Place the encoder inside the housing, taking care to centre the cone properly ②;
- Tighten the central SW4 M5x50 screw with an Allen wrench to a torque of 5 Nm ③;
- Tighten the screw on the outer ring with an Allen wrench SW2 to a torque of 1.25 Nm ④;
- Connect the signal cable (see chapter INSTRUCTIONS FOR INSTALLING THE EXTENSION CABLE ON THE HEIDENHAIN ENDAT ECN 1313 ENCODER) and close the cover with the Allen wrench SW3/SW4 ⑤;
- Once the positioning of the encoder is complete the timing procedure with the inverter must be repeated (REFER TO THE INVERTER MANUAL FOR THE CORRECT PROCEDURE).

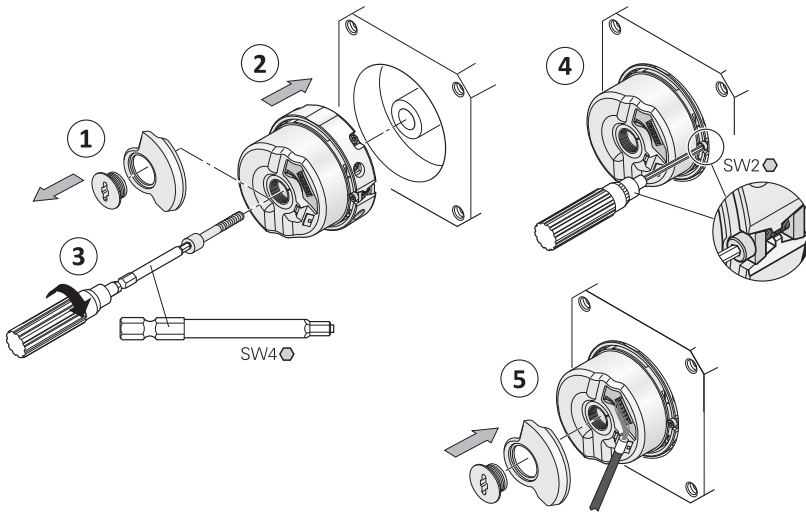


Figure 2

## 11.2. VENTILATION KIT

Auxiliary servoveilation kit always supplied with every SW series machine.

Activation by means of thermo-contact (the thermo-contact is installed inside the terminal box linked to the cast iron body).

Switch ON temperature 60°C, fan switch OFF temperature 45°C.

These temperatures are the value for the machine structure and not the temperature of the motor windings.

### 11.3. PULLEY DISMANTLING



Before dismantling the pulley:

- Read the "Safety Requirements" chapter.
- Isolate the electrical power supply of the gearless machine.
- Remove the guards and cable protection units.
- Place the plant in non-operative conditions and remove the cables from the pulley grooves.

Pulley dismantling:

- Unscrew the retaining screws ① "Figure 3" and place them as shown in "Figure 4".
- Tighten the nuts ③ on the screws ② and place them as shown in "Figure 4".
- Tighten the ② screws by 15/20 mm in the threaded holes on the pulley.
- Remove the pulley by tightening in circular sequence the nuts ③, while holding the pulley screws ② firm.

- ① VITI M12x50 (Ø120) M12x60 (Ø160/200/210)
- ② SCREWS M10x60 (not included in the standard supply)
- ③ NUTS M10 (not included in the standard supply)

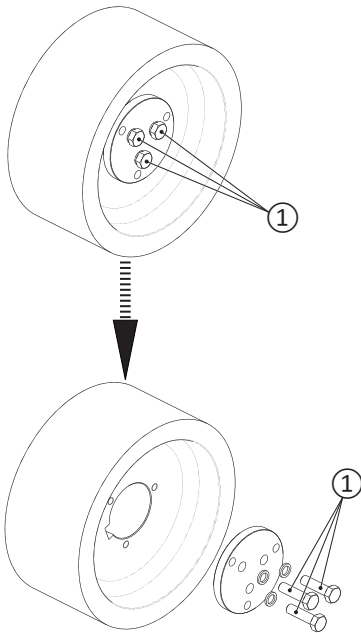


Figure 3

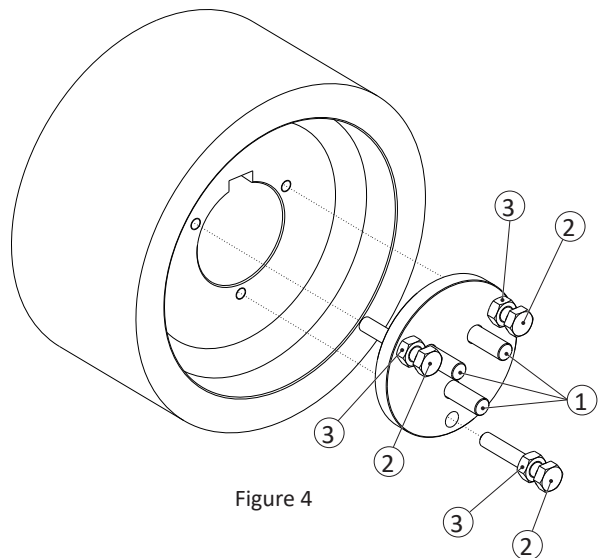


Figure 4

### 11.4. PULLEY ASSEMBLY



Before mounting the pulley:

- read the "Safety Requirements" chapter.
- isolate the electrical power supply of the gearless machine.

Fitting the pulley:

- Check the correct positioning of the tang on the shaft of the gearless machine.
- Carefully clean the taper coupling of the shaft of the gearless machine and the tapered hole in the pulley.
- Align the groove for the hole in the pulley with the tang on the shaft of the gearless machine and insert the pulley on the shaft, pushing it snugly into place.
- Position the securing plate, grower and bolts as shown in "Figure 5".
- Tighten the bolts ① in circular sequence to a torque of 90 Nm.
- Install the guards and cable protection units (if fitted).

① VITI M12x50 (Ø120) M12x60 (Ø160/200/210)

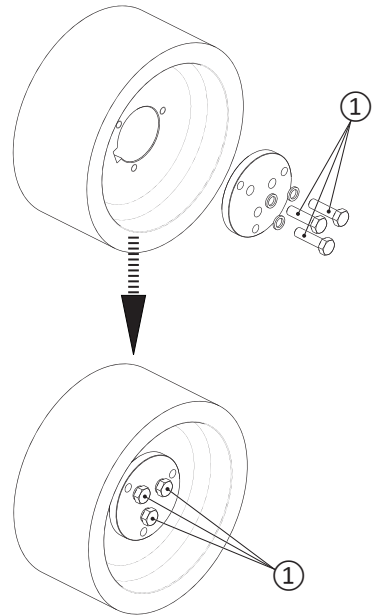


Figure 5

### 12. EMERGENCY OPERATION

The emergency operation is possible by means of an electrical operation.

In the event of mains power failure, emergency operation is possible by opening the brake of the gearless machine.

IN THIS CONDITION THE CABIN WILL MOVE DOWNWARD OR UPWARD DEPENDING ON THE LOAD AND/OR BALANCE CONDITIONS OF THE SYSTEM.



**WARNING**

WHEN THE MOTOR IS NOT POWERED, IT IS UNABLE TO GENERATE TORQUE. IN THIS SITUATION, IF THE BRAKE IS OPENED THE CABIN CAN ACCELERATE IN AN UNCONTROLLED MANNER.

For this reason, we recommend that the winding of the motor is kept in short-circuit when it is NOT POWERED. The motor will thereby developed a braking torque proportional to the rotation speed. In this way we obtain a braking effect comparable to that of a traditional gear (thus the masses are prevented from accelerating uncontrollably).

### 13. DISPOSAL/RECYCLING



Disposal must take place in a workmanlike manner and with respect to the environment, in accordance with the legal regulations in force.







## SICOR ITALY S.r.l.

Head Office and Production Centre

Viale Caproni 32 - 38068 Rovereto (TN) Italy

Ph.. +39 0464 484111 Fax +39 0464 484100

[www.sicoritaly.com](http://www.sicoritaly.com) [info@sicoritaly.com](mailto:info@sicoritaly.com)