

TriLED LED spotlight for elevators

ETL CLASSIFIED



INSTALLATION INSTRUCTIONS

This instruction manual is an integral part of the **TriLED** device, intended for use on elevators.

The device is designed exclusively for elevator use and operates at a voltage of 12 V.

This instruction sheet must be kept until the end of the product's life.

Keep the **TriLED** away from moisture and especially avoid wetting the electrical parts.

To ensure the safety and proper functioning of the product, make sure that installation and replacement are carried out by qualified and authorized personnel to work on elevators.

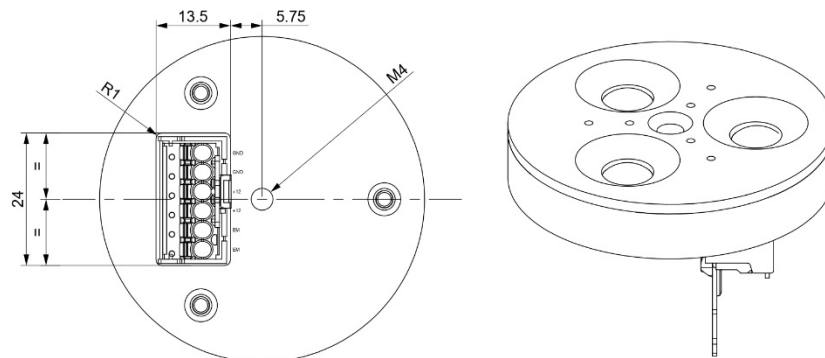


IN CASE OF *TriLED* REPLACEMENT, ENSURE THAT THE ELECTRICAL POWER IS DISCONNECTED BEFORE PROCEEDING.

The content of this sheet is subject to change without notice. Any reproduction, even partial, without the manufacturer's authorization is prohibited.

TECHNICAL DATA

BODY	ANODIZED ALUMINUM
LENS	PMMA
DIAMETER	59 mm
HEIGHT	11,4 mm
MOUNTING METHOD	THROUGH M4 SCREW
LAMP TYPE	3 LEDS
VOLTAGE	12 V
WIRING	WAGO CONNECTOR



INSTALLATION INSTRUCTIONS AND SAFETY WARNINGS

Read this instruction sheet carefully before beginning installation. Keep it for future reference. The **TriLED** must be installed only by qualified and authorized personnel to work on elevators.

SICOR ITALY assumes no responsibility for errors made by unauthorized installers. Ensure that the **TriLED** is intact and has not been damaged during transport.

Do not drop the **TriLED**, even when packaged, or expose it to shocks or impacts.

Respect the nominal operating voltages. Adhere to the wiring polarities.

INSTALLATION

Before starting the mounting operations, make sure there is enough space to avoid injuries.

1. Connect the positive pole to terminal 3 (+12) and the negative pole to terminal 5 (GND); to use the **TriLED** as emergency lighting, connect a positive pole from the battery to terminal 1 (EM).
2. To connect the **TriLED** in parallel, connect terminal 2 (EM), terminal 4 (+12), and terminal 6 (GND) of the newly wired **TriLED**, respectively, to terminal 1 (EM), terminal 3 (+12), and terminal 5 (GND) of the next **TriLED**. Maximum connectable devices: **6**. Only connect to another **TriLED**.
3. Securely attach the **TriLED** to the internal surface of the cabin roof using the provided M4 screw.

GENERAL USAGE INFORMATION

The correct and safe use of the **TriLED** involves adhering to the instructions contained in this manual.

SICOR ITALY is not responsible for improper use of the **TriLED**.

If defects are suspected, contact our technical service or a qualified technician. Full and precise compliance with all the rules, recommendations, and prohibitions indicated in these instructions is an essential prerequisite for the correct operation and use of the product.

Therefore, the manufacturer disclaims any responsibility for the consequences arising from even partial non-compliance with these indications.

